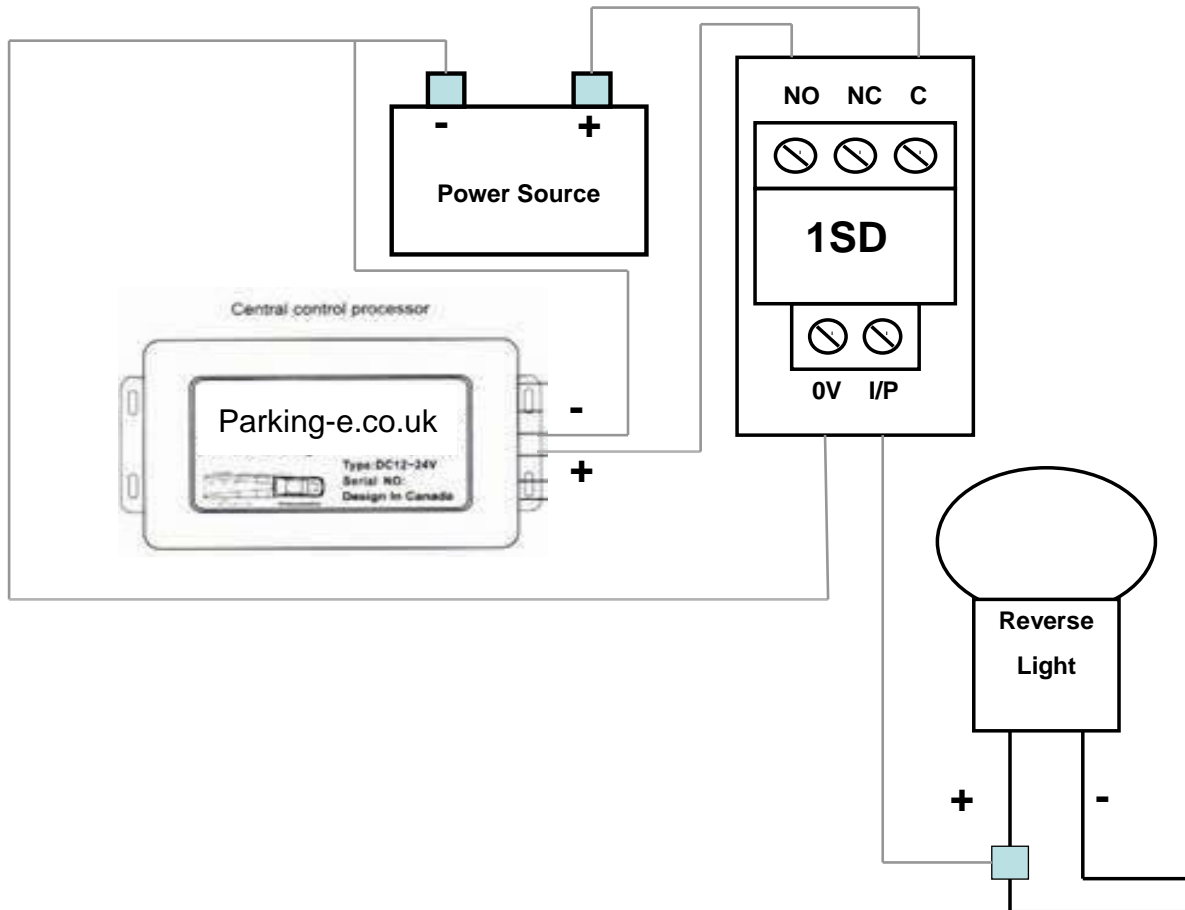


# PARKING-E *Parking Sensor Power Delay for Auto Gearboxes*

Installing the Parking Sensor Power Delay for Automatic Gearboxes will delay the power sent to the Parking Sensor kit for 1 second after engaging reverse gear. This device is designed to address an annoying problem where a short beep is emitted from the Parking Sensor kit when shifting from *Park* to *Drive*. The root of the problem is that the reverse lights of vehicles with automatic gearboxes flash on for a short time when shifting past *Reverse* to engage *Drive* from *Park*. The Parking Sensor Power Delay for Auto Gearboxes is compatible with all PARKING-E parking sensor kits.



## Installation Instructions

1. Connect the terminal marked **I/P** to the vehicle reversing light positive power supply.
2. Connect the terminal marked **C** to an ignition switched live (+).
3. Connect the terminal marked **0V** to a good chassis earth. (-)
4. Connect the terminal marked **NO** to the parking sensor positive power lead. (+)
5. Connect the parking sensor negative power lead to a good chassis earth. (-)
6. Check that all connections are secure and well insulated.

*Note: This smart switch can only be used on vehicles where the reverse light is switched by a positive power supply. This unit is not compatible with the "S" Type Jaguar.*

*Only one Parking Sensor kit can be connected to a 1SD Smart Switch. If front & rear kits are being fitted to an automatic vehicle then each kit needs it's own 1SD smart switch.*

## Supplied by :

ECS Ltd,  
www.ecs2.co.uk

*Please Note that this system is designed to be a driver's aid and should not replace the need to drive carefully, we accept no liability for damage or loss resulting from improper installation or use of this product, infringement of the vehicle manufacturer's warranty or injury or loss resulting from any accidents however caused. If in doubt please consult a qualified auto electrician.*